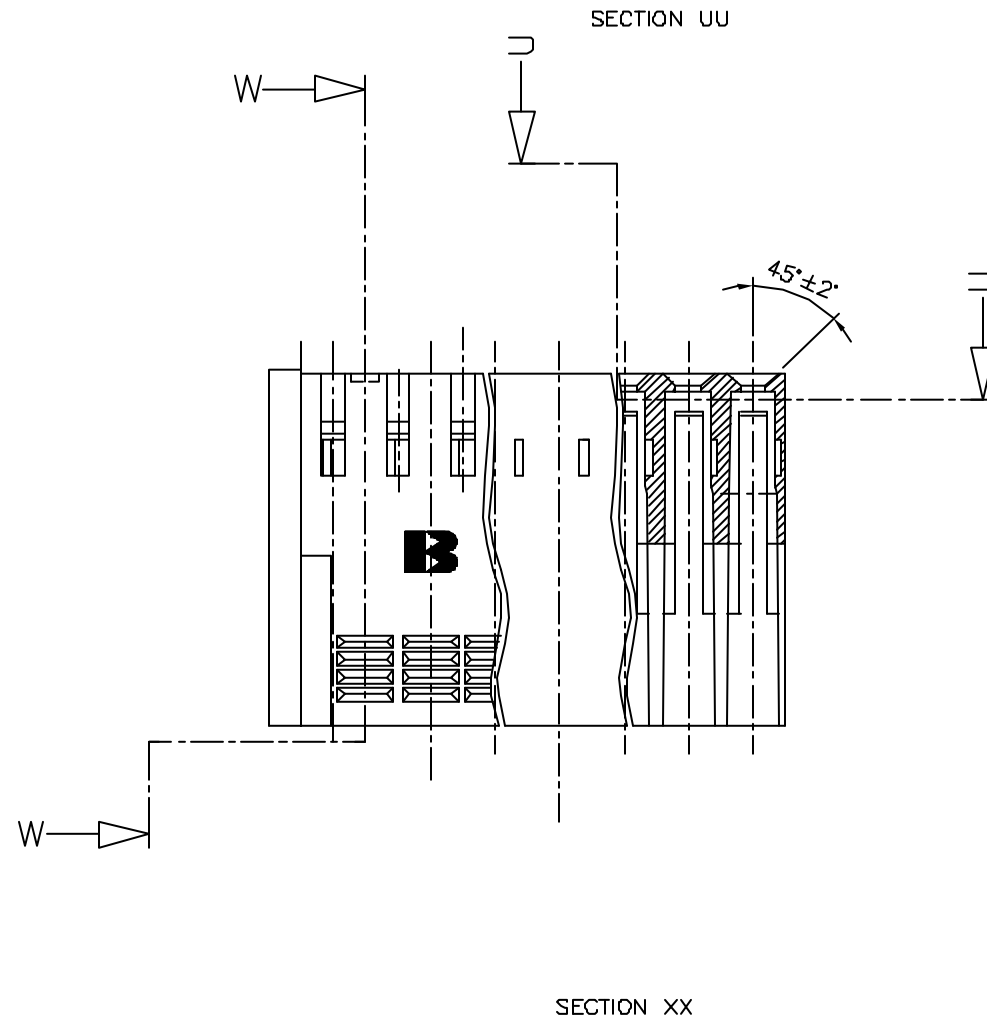
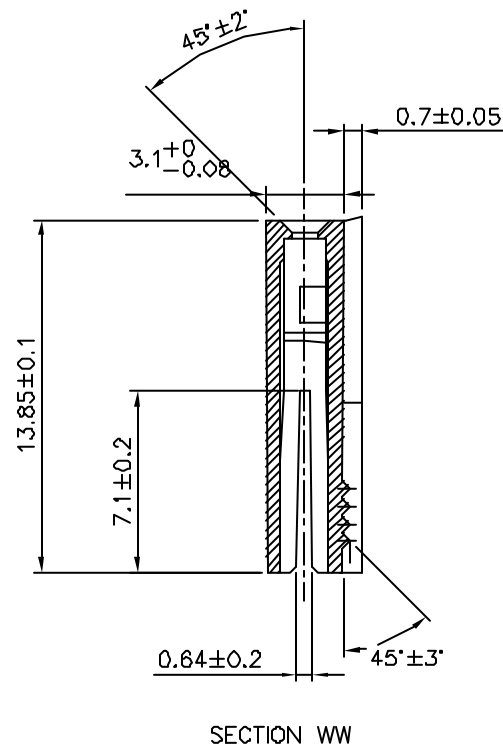
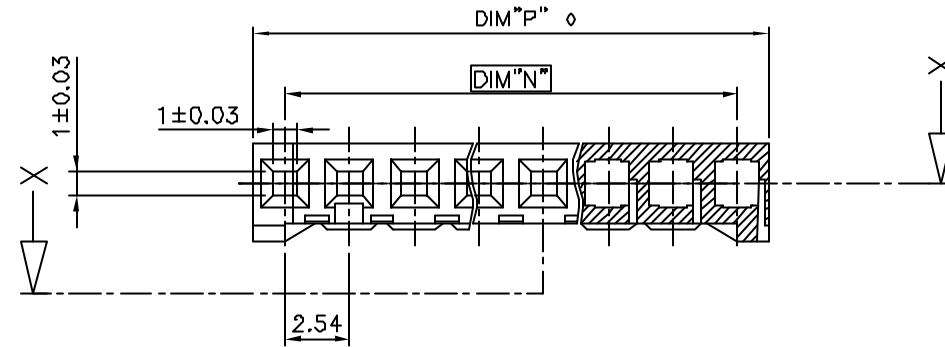


PRODUCT NUMBER
67013-0XXLF

WHEN NEEDED, SUFFIX LETTER "LF" INDICATES THE PRODUCT IS RoHS COMPLIANT, SEE NOTE 5



NOTES:

- 1 - MOLDING MATERIAL: PBT 30% GLASS FILLED, COLOUR BLUE, FLAME RETARDANT, ACCORDING TO UL 94, CATEGORY V0.
 - 2 - OVER DASH NUMBER -006 ONLY THE FIRST AND LAST THREE POSITIONS MUST HAVE GROOVES ON TWO SIDES
 - 3 - THIS HOUSING IS INTENDED FOR USE WITH BERG TERMINAL # 76785-YXX AND BERG HEADERS # 76384-YXX OR 76382-YXX
 - 4 - FOR BERG DUFLEX CLINCHER APPLICATION DATA SEE SPECIFICATION TA-333 SHEET 213-10F1
 - 5 - RoHS COMPATIBLE PRODUCT SPECIFICATIONS
- a - LABELING:
- MEETS PACKAGING SPECS AS PER GS-14-920
- b - LEGAL STATEMENT: SEE GS-22-008
- THE PRODUCT IS NOT INTENDED TO BE EXPOSED TO A MANUFACTURING SOLDER PROCESS.

CUSTOMER COPY FOR REFERENCE ONLY									
mat'l. code	SEE NOTE 1	surface	ISO 1302	tolerance	ISO 406	ISO 101	projection	product family	VCC SR
lrr	ecr no	dr	date	tolerances unless otherwise specified	angles	linear	mm	title	DUFLEX HOUSING SINGLE ROW
K	FDB-0226	DLE	06.07.07				scale 5/1	sheet 1 of 2	size A2
E	F0049B	PNZ	00.09.13					type	CUSTOMER Drawing
F	FD4-0347	DLE	04.12.10	dr	D LEGRAND	08.07.13			
G	FD5-0168	DLE	08.04.07	engr	JM PHAMVAN	08.07.13			
H	FD5-0236	DLE	05.08.24	chr	P NIZZI	08.07.13			
J	FD5-0286	DLE	05.11.07	appd	JMP	08.07.13			
sheet index	revision	K	J						
	sheet	1	2						

1

2 3

4

5

6

NUMBER OF POS.	NUMBER OF POS.	DIM"N"	DIM"P"
67013-002 LF	1 x 02	2.54	5.00
67013-003 LF	1 x 03	5.08	7.54
67013-004 LF	1 x 04	7.62	10.08
67013-005 LF	1 x 05	10.16	12.62
67013-006 LF	1 x 06	12.70	15.16
67013-007 LF	1 x 07	15.24	17.70
67013-008 LF	1 x 08	17.78	20.24
67013-009 LF	1 x 09	20.32	22.78
67013-010 LF	1 x 10	22.86	25.32
67013-011 LF	1 x 11	25.40	27.86
67013-012 LF	1 x 12	27.94	30.40
67013-013 LF	1 x 13	30.48	32.94
67013-014 LF	1 x 14	33.02	35.48
67013-015 LF	1 x 15	35.56	38.02
67013-016 LF	1 x 16	38.10	40.56
67013-017 LF	1 x 17	40.64	43.10
67013-018 LF	1 x 18	43.18	45.63
67013-019 LF	1 x 19	45.72	48.18
67013-020 LF	1 x 20	48.26	50.72

NUMBER OF POS.	NUMBER OF POS.	DIM"N"	DIM"P"
67013-021 LF	1 x 21	50.80	53.26
67013-022 LF	1 x 22	53.34	55.80
67013-023 LF	1 x 23	55.88	58.34
67013-024 LF	1 x 24	58.42	60.88
67013-025 LF	1 x 25	60.96	63.42
67013-026 LF	1 x 26	63.50	65.96
67013-027 LF	1 x 27	66.04	68.50
67013-028 LF	1 x 28	68.58	71.04
67013-029 LF	1 x 29	71.12	73.58
67013-030 LF	1 x 29	73.66	76.12
67013-031 LF	1 x 31	76.20	78.66
67013-032 LF	1 x 32	78.74	81.20
67013-033 LF	1 x 33	81.28	83.74
67013-034 LF	1 x 34	83.82	86.28
67013-035 LF	1 x 35	86.36	88.02
67013-036 LF	1 x 36	88.90	91.36

A

A

B

B

C

C

D

D



Copyright FCI

CUSTOMER COPY FOR REFERENCE ONLY

mat'l. code		surface ISO 1302 <input checked="" type="checkbox"/>		tolerance ISO 406 ISO 101		projection		product family VCC SR	
Ltr	ecn no	dr	date	tolerances unless otherwise specified		mm		title	
C	F40060	PNZ	94.02.07	angles	.0±.x	mm		DUFLEX HOUSING SINGLE ROW	
D	F80386	DLE	98.03.13	Linear	.00±.0x	mm			
E	F00499	PNZ	00.09.13	0'±x'	.000±.00x	scale N/A		dwg no sheet 2 of 2 size	
F	F04-0347	DLE	04.12.10	dr	D LEGRAND	98.07.13		67013 A3	
G	F05-0169	DLE	05.04.07	engr	JM.PHAMVAN	98.07.13		type CUSTOMER Drawing	
H	F05-0236	DLE	05.08.24	chr	P.NIZZI	98.03.13			
J	F06-0226	DLE	06.07.07	appd	JM.P	98.03.13			
sheet index	revision sheet								

form: A3

1

2

3

4

5

6